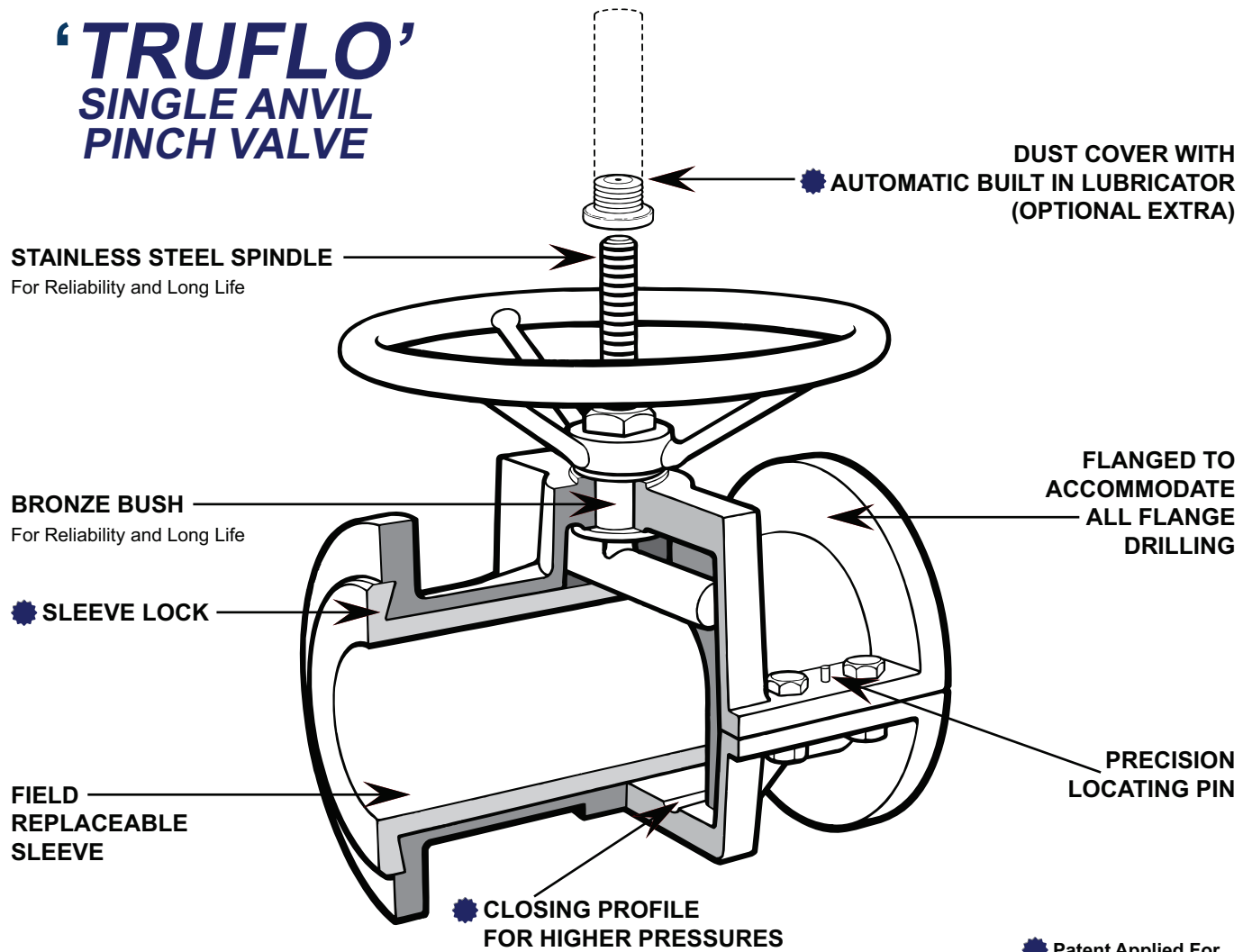


ATVAL'S Hi-Tech Alternative to the Matronly Diaphragm Valve!



- Straight line flow, no cavities.
- Drop tight Bi-Directional shut off.
- Easy to use, easy to maintain, fitter friendly.
- All types of actuators can be fitted.
- Self cleaning flexing action of sleeve eliminates in line scaling and line blockage.
- Field replaceable sleeve extends in line service and lowers maintenance costs.
- Sleeves available in a wide range of polymers and trims to meet exact service and flow specifications.
- All mechanical parts completely isolated from pipe line medium.
- Sizes 25mm to 300mm. Normal CWP 1000kPa. For higher pressures consult our factory.

'TRUFLO' SINGLE ANVIL PINCH VALVE



Valve Size	25	40	50	65	80	100	125	150	200	250	300
Face to Face	34	166	198	225	263	312	365	415	535	644	760
Centre to Top (open)	100	140	150	180	215	265	300	350	400	550	630
Hand wheel	110	110	150	150	200	250	250	300	350	500	600
Weight	5	7	10	13	18	26	40	55	100	170	220

Body	Sleeve Rubbers	Spindle
Cast Iron	Gum	Stainless 304
Aluminium	Natural	Stainless 316
Coated (Specify)	Synthetic	To Customer Specification

Other valve sizes available - Please consult our factory.

The Americas Operations

RF Valves Inc.
1342-A Charwood Road
Hanover, MD 21076, USA
Tel: +1-410-850-4404 Fax: +1-410-850-4464
email: contact@rfvalve.com
www.rfvalve.com

African Operations

Dynamic Fluid Control (Pty) Ltd
32 Lincoln Road,
Industrial Sites, Benoni South, South Africa
Tel: +27-10-823-8877 Fax: +27-11-421-2749
email: dfc@dfc.co.za
www.dfc.co.za

Australian Operations - NSW

5 Vangeli St, Arndell Park, NSW, 2148
P.O. Box 156, Seven Hills, NSW, 1730
Tel: +61-2-8814-9699
Fax: +61-2-8814-9666
Email: sales@ventomat.com.au
Website: www.ventomat.com.au

European Operations

RF Valves, Oy.
Tullitie 9,
53500 Lappeenranta, Finland
Tel: +358-20-758-1790 Fax: +358-20-785-1799
email: rfvalves@rftek.fi
www.rfvalve.com

Brazil Operations

Aveng Industria e Comercio de Valvulas do Brasil Ltda
Address: Rua Álvaro da Silveira, 40 - Santa Margarida
Belo Horizonte - Minas Gerais, Brasil
Tel : +55-31-3658-3656
Email address: rfq@rfvalve.com
www.rfvalve.com

**DFC DYNAMIC
FLUID CONTROL**